

# ASPHALT AND CONCRETE CUTTER T400001



## USER MANUAL SPARE PARTS LIST

## SUMMARY

1. General precautions
2. Machine's presentation
3. Machine's identification
4. Instructions for the unwrapping
5. Instructions for the machine installation
6. Disk's assembling
7. Executive safety instructions
8. Working
9. Controls before working
10. Starting
11. Directions
12. Standstill
13. Maintenance
14. Manual of anomalies' and remedies' search
15. Transport
16. Technical data
17. Spare parts
18. CE Conformity declaration

# INTRODUCTION

Thank you to have bought a **Asphalt and Concrete Cutters T400001 model**. This manual must be considered an integral part of the machine and it must follow every stage of sale until the last operator. Every machine is perfectly checked before it leaves the factory.

## **WARNING**

This symbol will be used every time there is a particular danger for the operator.

## **WARNING**

READ CAREFULLY THIS MANUAL

This manual has been written in order to help the operator for a correct starting, to explain the safety regulations in force in the European community and to eliminate the possible risks of a wrong use.

This machine must be utilised only to cut joints of the dilatation or repair each type of concrete floors also all kinds reinforced and for the companies carry out the excavations on the asphalt in accordance with the design.

All further use is considered improper, so dangerous. For this reason, the builder is not responsible for any damage to persons or things coming from improper and wrong uses of the same.

In addition to these regulations, we beg you to observe also the safety instructions in force in your building sites and workshops.

The **ISOPLAM S.r.l.** reserves it self-the right to make any alteration or improvement in its products without the obligation to modify the products before built.

IT IS FORBIDDEN TO REPRODUCE ANY PART OF THIS PUBLICATION

For any problem ask advice your concessionary or our service department to **Coste di Maser (TV) in Via E. Mattei n. 4 - Tel. +39 0423 925023 - Fax +39 0423 926119**  
E-mail [info@isoplam.it](mailto:info@isoplam.it)

# Use instructions by **Asphalt and Concrete Cutter T400001 model**

## 1. GENERAL PRECAUTIONS

### **WARNING**

- 1.1** Take children away from the work zone. When you have finished your work put the machine in a safe place.
- 1.2** The Asphalt and Concrete Cutter with diesel, gasoline and electric motors, is designed to give the most safety if they are utilised according to the instructions. Read carefully manual before starting the machine. A misuse can cause damages to persons and equipping.
- 1.3** The entrepreneur must entrust the use of the Asphalt and Concrete Cutter only to adult physically and mentally suitable. He must make sure that these persons are able to use the machine correctly.
- 1.4** The Asphalt and Concrete Cutter can be driven only if every use and safety regulation is observed.
- 1.5** The persons who work with these machines must know every safety measures for the use.
- 1.6** The use of this machine can expose the operator to a level of the upper noisiness at 85dB (A). In fact, the sound power of the present machine is like 107 dB (A); whereas the emission level of sound pressure in the operator position is like 107 dB (A). Consequently the operators who use the present machine must carry the protection caps and for hearing (D.L. 9 April 2008 n°81).

## 2. MACHINE'S PRESENTATION

- 2.1 The Asphalt and Concrete Cutter have utilized of the industrialist in the cutting joints of dilatation or repair each type of the concrete floors also all kinds reinforced and for the companies carry out the excavations on the asphalt.

### WARNING

- 2.2 It is absolutely forbidden use the machine for every materials don't cited different to point 2.1.

### WARNING

- 2.3 Use only right disks for the materials to cutting. Use only cutting disks that follow the specifications of the machine, in particular diameter and peripheral speed.
- 2.4 It is possible to damp or dry diamond disks (in particular case also abrasive discs). Maximum diameter blade guard to apply  $\varnothing$  450 mm with diameter hole to 25.4 mm.
- 2.5 Adjustable cutting depth by a manual control with movable hand-wheel in accordance with wanted depth: about 170 mm with diamond blade  $\varnothing$  450 mm.
- 2.6 The work progress is manual thrust.
- 2.7 The machine is thrust easily over n.4 wheels to workings in the building site.
- 2.8 Annexed plastic water tank with from 30 L to diamond disc's cooling.
- 2.9 THE MACHINE HAS SO FOURMED: (see picture n°01)

1. Hand-wheel of adjusting depth;
2. Lifting hook;
3. Handle of accelerator;
4. Motor;
5. Protection belts;
6. Base;
7. Index of direction rod;
8. Disk;
9. Covering disk cap;
10. Tap;
11. Tank;
12. Handle.

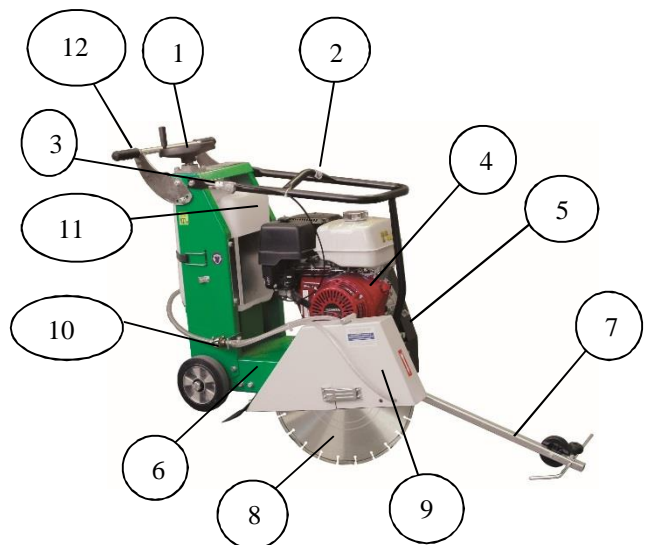


Fig.01

### 3. MACHINE'S IDENTIFICATION

- 3.1** All the necessary data to identify the machine are on the nameplate situated on the carter cover belts (see picture n.02).

### 4. INSTRUCTIONS FOR THE UNWRAPPING

- 4.1** In the packing there are:
- N.01 Case with the handle for the hand-wheel of adjusting depth
  - N.01 Manual for use and maintenance, various document
  - N.01 Direction index rod
  - N.01 Using key n.22 to the adjusting handle
- 4.2** Proceed with great care at the elimination of the outside packing to avoid some damages on the machine, particularly to the rubber pipes and connections.

### 5. INSTRUCTIONS FOR THE MACHINE INSTALLATION

- 5.1** The machine arrives completely assembled.
- 5.2** Lower the index rod and insert the rod "B" in the special hole, control it moderately and clamp the blocking hand-wheel "C" (see picture n.03).

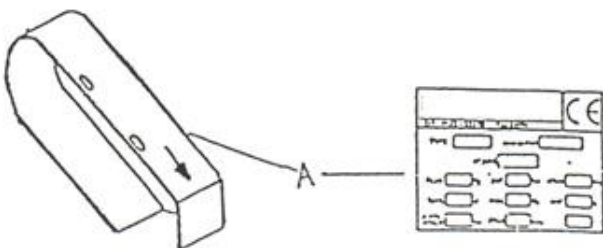


Fig.02

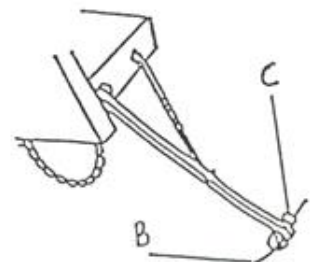


Fig.03

## 6. DISK'S ASSEMBLING

### WARNING

- 6.1 Handle with care the disk to avoid damages and injuries.
- 6.2 Switch off the motor (cut off the socket in the electric system).

### WARNING

- 6.3 Check which the disk direction is that indicated by arrow "B" on the carter to avoid damages to disk and to the operator (see picture n.04).
- 6.4 Loosen with the suitable key n.17 two fixing nuts "A" that there are in the lateral position of the case cover disk (see picture n.04).
- 6.5 Lift the case cover disk.
- 6.6 Remove the nut to fix the disk with the key blocking the shaft cover disk with another key. Unscrew or screw down the nut to fix the disk, use the keys only manually, without make use the hammer or similar tools. THE THREAD OF THE NUT TO FIX THE DISK IS ON THE LEFT.
- 6.7 Remove the flanges and assemble the diamond disk. Make attention to disk direction, control the arrow direction indicated on side of disk: must coincide with the machine direction.
- 6.8 Clean the flanges before to assemble the disk.

### WARNING

- 6.9 Reassemble the flange to fix the disk and lock the nut in safety using the two keys. Make attention to assembling the flange, particularly with insertion to the pivot "A" on the disk's hole, so that under the cut effort can rotate on the shaft (see picture n.04).
- 6.10 Lower the case cover disk cap and block it loosening the two nuts.

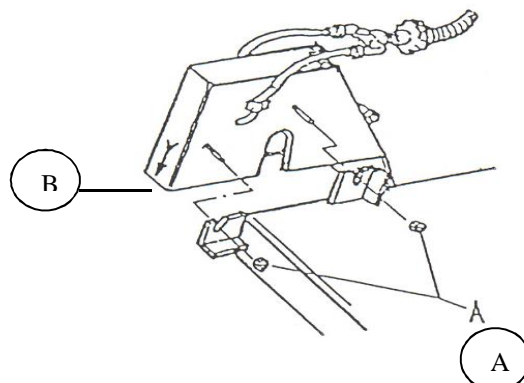


Fig.04

## 7. SAFETY OPERATIVE INSTRUCTIONS

7.1 The work place must be perfectly in order without disks and well-lit room.

### **WARNING**

7.2 Remove the outsiders to the neighbourhood before to begin the cutting work.

7.3 Wear always the protection glasses, leather gloves, close-fitting clothes, helmet and boots to protect oneself against the sparks and splinters of materials during the work.

7.4 In case of work to the stuffy rooms, galleries, etc...Make sure there is sufficient air for the health, because the exhaust gas contain the carbon monoxide (they can cause a consciousness leak and be mortals).

7.5 It is forbidden the use of machine in the places exposed to the explosions or which the dangerous products in the neighbourhood.

## 8. WORKING

8.1 The work progress must be suitable of the cutting depth, of the material hardness and of the available power on the machine.

8.2 Carry out tracks on the floor in the point to cut.

8.3 The machine must be to put so that and so the lowered index of direction n.08 is to axle with the carried out tracks.

8.4 Avoid a lateral distortion of the machine during the cut to not spoil the disk (see picture n.05).



Fig.05



## 9. CONTROLS BEFORE STARTING

### PART FOR PETROL AND DIESEL MOTORS

- 9.1 Read with attention the instructions of starting and maintenance motors.
- 9.2 Consider the work society.
- 9.3 Control the full of fuel.
- 9.4 Carry out the fuel with engine switched off and in a windy spot.
- 9.5 Don't fill too much the tank, avoid knocking down the fuel, in particular the petrol during the filling on the warm parts of the motor and on the parts can damage oneself.
- 9.6 The petrol is in the extreme inflammable and explosive in some conditions. Don't smoke or leave the free flames or sparks in the area in which the machine has supplied. The vapours of petrol can catch fire. If the petrol has fallen, make sure which the area is perfectly dry before to start the motor.
- 9.7 Fill the tank (see illustration n.01 page 5) turning before the tap off. It is obligatory use only the water for the disk's cooling.

### PART OF ELECTRIC MOTORS

- 9.7 Control the feed tension of machine (see the nameplate's identity page 6 section 3.0 of this manual) is corresponding to the mains voltage.
- 9.8 It is obligatory provide to the connection of machine.
- 9.10 Make sure the direction is that indicated by arrow "A" on the carter (see illustration n.02 page 6) for machines have equipped with the motor to 380 volts. On the contrary it is forbidden use the machine, so call your concessionaire or our Service Department.
- 9.11 The safety device doesn't allow the start of machine if this has stopped for sudden want of current.
- 9.12 Join forces to the mains by a feed cable of suitable section 4x4mq or 5x4mq with maximum depth to 100m.
- 9.13 The motor protection is insured to the magneto-thermal switch.
- 9.14 Fill the water tank, but before to remember to turn the tap off (see illustration n.01 page 5)

## 10. STARTING

### WARNING

- 10.1 Read with attention the instructions before starting.
- 10.2 Please, maximum attention. Remove the keys and possible adjustment tools. Put always the carter of protection.

### WARNING

- 10.3 Read and follow the instructions on the motor booklet to starting of petrol and diesel motors. Proceed so like this:
  - 1 – Draw slowly the starting rope until find the compression's resistance; go with draw slowly on until to pass it hardly (see picture n.06 page 10)
  - 2 – Relax the rope re-wrapping it (see picture n.06 page 10)
  - 3 – So draw with resolution (see picture n.07 page 10)
- 10.4 The starting of electric motor starts pressing the gear-arresting button of the magneto-thermal switch.
- 10.5 Start the motor with the disk far away to the cutting area; make the same operation for the stopping.
- 10.6 Use the maximum attention on the disk rotation during the starting of motor or pauses and for the cuts.

Fig.06



Fig.07



## 11. DIRECTIONS

- 11.1 Turn the water tap on n.10 (see picture n.01 page 5). In the cut with diamond disk the water must flow abundantly and continually on the disk adjusted by the tap to avoid there are the fire dusts harmful to health (for the possible dry cuts to turn the tap off).
- 11.2 Remove the blocking hook n.02 to the hand-wheel adjusting depth n.01 (see picture n.01 page 5).
- 11.3 Supply the motor revolutions (petrol or diesel) to the maximum output allowed of the accelerator.
- 11.4 Regulate slowly the descent of disk by the hand-wheel n.01 to avoid switch the motor off. Got to the depth work requested, block the hand-wheel with the hook n.02.
- 11.5 Hold firmly the handle "C" and keep a correct position during the cut operation (see picture n.05 page 8).

### **WARNING**

- 11.6 The operator mustn't leave by controls during the work.
- 11.7 The operator must switch the motor off in case he must leave to the machine; besides must be block it to avoid damages due to sudden moving or overturning.

### **WARNING**

- 11.8 Use the due cautions to avoid damages to the breathing during the possible cut of the dusty materials.
- 11.9 Hold lowered at most the protection of disk.

## 12. STANDSTILL

- 12.1 Lift the disk of the cut grooving.
- 12.2 Turn the water tap off.
- 12.3 Reduce at least the motor revolutions before to stop it.
- 12.4 Stop the motor following the instructions of use and maintenance's booklet.

## 13. MAINTENANCE

### **WARNING**

- 13.1 It is obligatory to switch off the motor (cut off so the socket in the electric system).
- 13.2 Lubricate using the grease for bearings, supports of the shaft cover disk, axle for rear wheels, trestle of adjustment depth and the progress chain in accordance to the use frequency.
- 13.3 Clean and hold to perfect conditions the tools used.
- 13.4 When the machine doesn't use more, remove the disk and put it correctly, preferably hang it for the hole up in a suitable place.
- 13.5 Put the machine in a safe place far away to the children finished the work.
- 13.6 Control periodically the fixing bolts.
- 13.7 The possible repairs must be made only to the technical skilled staff.
- 13.8 A use not correct, spare parts not originals and alterations not authorised exclude the builder to the each responsibility and warranties.

### **WARNING**

- 13.9 It is obligatory control the machine at least an once to year by your concessionaire or our Service Department, so that and so the safety level and works of the machine are stables in the time.
- 13.10 Every days before to design the work, the operator must control the efficacy of the control and safety device.
- 13.11 Every days before to begin the cut must control the belts voltage. If it is necessary, must stretch again the belts with moderation (loosen n.4 nuts to fix the motor, act on the belts making attention to keep ranged the motor, until get a correct voltage; so block again).

## 14. MANUAL OF ANOMALIES' AND REMEDIES' SEARCH

### **WARNING**

- 14.1** Switch the motor off (petrol or diesel), before to make each type of intervention or disconnect the machine removing the socket (electric system).
- 14.2** In case of the sudden stop of disk in the cut groove during to the work control:
- The belts voltage (could be slows)
  - The fuel's level (petrol or diesel)
  - Presence of the mains voltage (electric)
  - The progress speed too much high
- 14.3** Control the fuel in the tank, if the petrol or diesel motor doesn't starts.
- 14.4** Control and clean the air filter, possibly to change it.
- 14.5** Control and clean the fuel filter, possibly to change it.
- 14.6** Control the oil level, possibly to fill.
- 14.7** Clean the sparking plug in the petrol system and control the distance amid the electrodes (0.7mm).
- 14.8** In the electric system if the motor doesn't start, control the feed cable. If the switch thermal blows control if the feed cable is to adequate section and if the available power is sufficient for the electric motor installed on the machine.

## 15. TRANSPORT

### WARNING

- 15.1 Switch off the motor (gasoline or diesel), before to carry out each type of intervention or disconnect the machine removing the socket (electric system).
- 15.2 Strip down the disk.

### WARNING

- 15.3 In case of lifting use the handle "E" (see picture n.08 page 14).
- 15.4 The machine pushed easily on n.4 wheels to working in the building site.
- 15.5 Make sure the machine doesn't suffer damages during the loading and unloading of transport.
- 15.6 Put the machine so that and so it can't overturn or slide during the transport, leaning the front chassis on the wood support.

Fig.08



# 16. TECHNICAL DATA

**16.1 SPECIFICATIONS:**

<i>Model</i>	<i>Engine</i>	<i>Powering KW</i>	<i>Weight Kg.</i>
T400001	KOHLER CH440 PETROL	10,0	118,0
T400001	HONDA GX390 PETROL	9,6	116,0
T400001	ROBIN SUBARU EX400	10,3	116,0
T400001	DIESEL YANMAR L100N6CF1T1AA	7,5	132,0
T400001	DIESEL 15LD440 LOMBARDINI	8,1	122,0
T400001	DIESEL 15LD440 AE LOMBARDINI	8,1	132,0
T400001	ELECTRIC 3PHASE 400V-50Hz	4,0	102,0

**16.2** Max disc diameter:  $\varnothing$  450mm (hole  $\varnothing$  25.4mm)

**16.3** Maximum cutting depth: 165mm

**16.4** Speed of rotation (depends to the engine): 3000/3600 rpm

**16.5** MEASURES: (see picture n.09 page 15)

	A	B	C
<u>T400001</u>	mm 950	x 620	x
			<u>900</u>

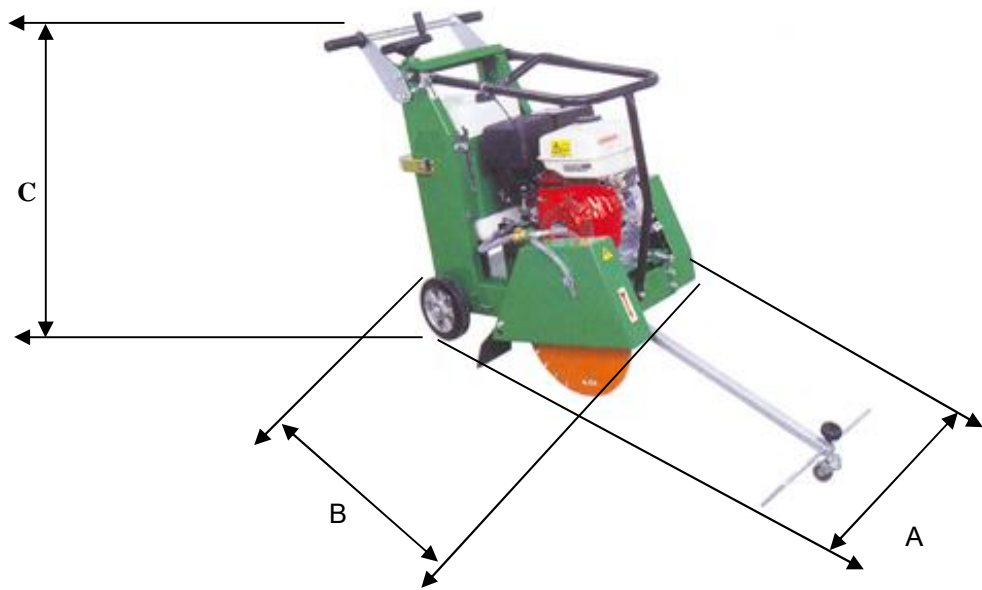
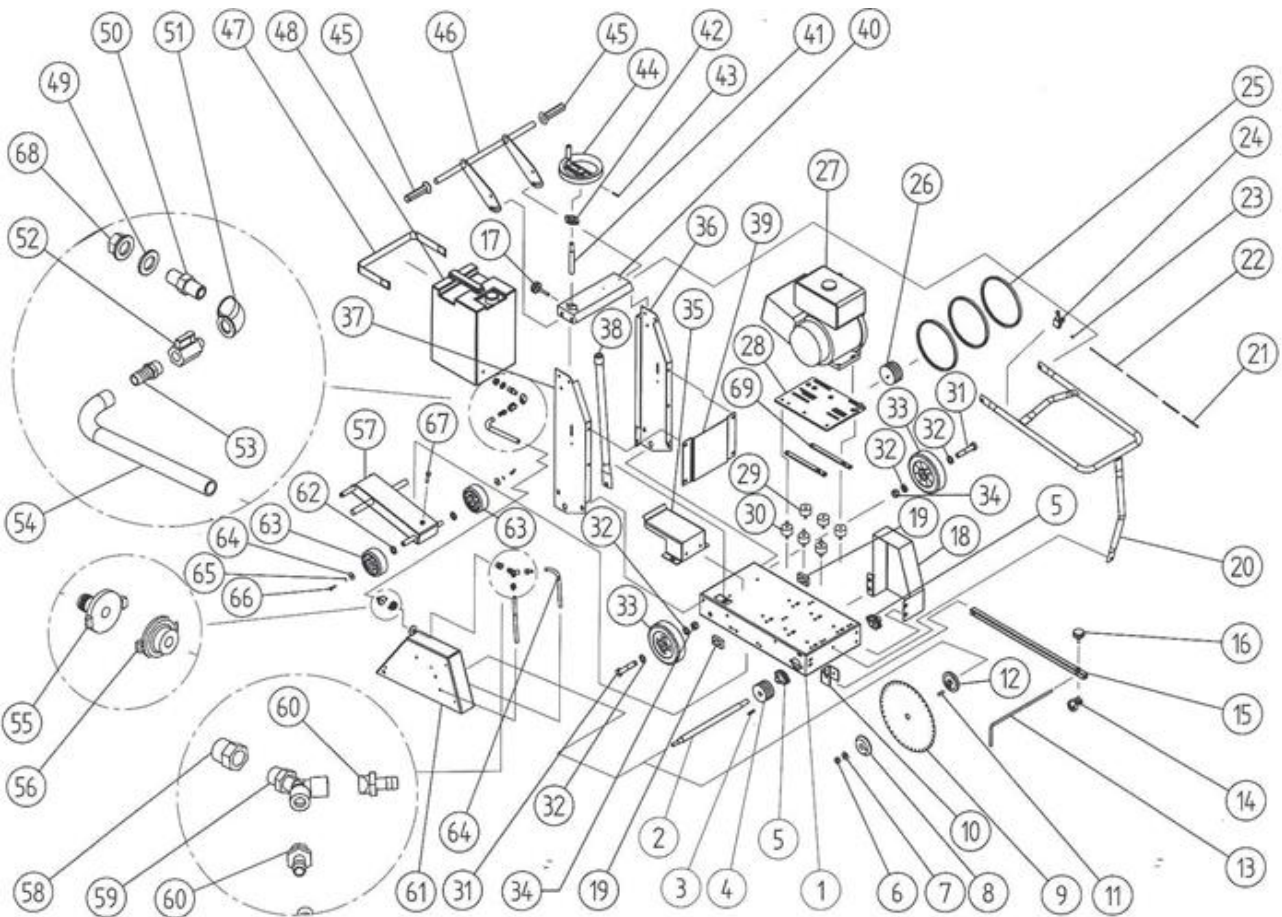


Fig.09

# 17. SPARE PARTS LIST

17.1 FOR EACH INQUIRY OF SPARE PARTS IS NECESSARY TO POINT THE SERIES NUMBER OF MACHINE AND THE CODE NUMBER OF SPARE. THE SPARES' CODE IS LEARNT ON THE LIST BROUGHT IN EACH ILLUSTRATIVE TABLE OF THE BOOKLET WITH THE CORRECT NAMING OF THE SPARE REQUESTED.

**TABLE I – COMPLETE FRAME**





# SPARE PARTS LIST

## T400001

Item	Code	Description
1	1303A005	*FRAME BASE COMPLETE T400001
2	0820A007	SHAFT COVER DISK T400001
3	3025A002	LITTLE KEY C40 6604A h9 6X6X40
4	0722A032	PULLEY d.90X3A f20+c6
5	2913A002	FLANGE SUPPORT PFT 25 TF SKF (PFT52+YAR 205-2)
6	3015A050	ZINC PLATED NUT A. SX 6S 5587 M14
7	3019A001	ZINC PLATED WASHER R40 6592 M20X41X3
8	0801A012	FRONT FLANGE FOR DISK Ø 95 SP.16 C/RIP.
9	-	DIAMOND DISK (ON REQUEST)
10	1205A036	COVER INDEX T400001
11	3021A001	PLUG UNI ISO 8734 - TYPE 10X30 - ST
12	0801A024	BACK FLANGE FOR DISK Ø 95 SP.25 C/RIP.
13	0829A001	*INDEX ROD TS
14	2025A007	WHEEL RGV Ø 50/18 PPV P+N
15	1329A001	*INDEX DIRECTION TS
16	2002A006	HAND-WHEEL TMP V1/50/V-M10X25 c.boteco 7325010025
17	2002A007	HAND-WHEEL TMP V1/50/V-M10X60 c.boteco 7325010060
18	1308A007	*CARTER COVER BELT COMPLETE TS350/450
19	1205A031	PLATE TO FIX TRESTLE TS350/450
20	1338A012	*MOTOR PLATE T400001
21	2020A001	SHEATH Ø 2.5X4.5X5.2
22	2024A007	CABLE Ø 1.6X12 L=2450 (CRUSHED IRON PASTILLE)
23	2022A001	HEAD-SHEATH Ø 2.5XØ5.5X10 CODE 03608015
24	2023A001	ACCELERATOR HANDLE M6X70 Article 2668
25	2701A006	BELT A28 WITH KOHLER CH440 PETROL ENGINE
	2701A007	BELT A29 WITH HONDA GX390, ROBIN EH41 AND ELECTRIC ENGINES
	2701A008	BELT A30 WITH DIESEL 15LD440 A.E. ENGINE
26	0722A004	PULLEY d.80X3A f25.4+c6.4 FOR GX390, EH41 PETROL ENGINES
	0722A008	PULLEY d.80X3A conical hole FOR 15LD440 A.E. DIESEL ENGINE
	0722A009	PULLEY d.80X3A of series FOR 3PHASE ELECTRICAL ENGINE

# SPARE PARTS LIST

## T400001

Item	Code	Description
27	2030A037	KOHLER CH440 PETROL ENGINE
	2029A021	DIESEL 15LD440 in K 7A3070 C/QUADRO AE
	2030A010	HONDA GX390 QX-Q4-OH PETROL ENGINE
	2030A015	ROBIN EH41AV.ST.C-A/C O/S PETROL ENGINE
	2201A057	3PHASE ELECTRICAL MOTOR B3 KW4.0 HP5.5 2P V230/400 IP55 G112 T
28	1305A018	MOTOR PLATE FOR DIESEL 15LD440 AE
	1305A017	MOTOR PLATE FOR PETROL ENGINES AND ELECTRICAL MOTOR
29	2018A006	SHOCK-ISOLANT MF 50X30 M10X30 60SH
30	2018A002	SHOCK-ISOLANT 2M 50X30 M10X30 60SH
31	3001A128	ZINC PLATED SCREW TE 8.8 5737 M20X100
32	3019A001	ZINC PLATED WASHER R40 6592 M20X41X3
33	2025A008	WHEEL DM.200 Hole 20 TYPE I
34	3015A005	ZINC PLATED SNUT A.A. 5S 7473 M20
35	1305A066	WELDED SUPPORT FOR TANK TS350/400
36	1305A056	*LATERAL AND COMPLETE LEFT SIDE TS400
37	1305A057	*LATERAL AND COMPLETE RIGHT SIDE TS400
38	1307A003	WELDED PIPE FOR ADJUSTING SCREW TS350-450
39	1208A015	FRONT PROTECTION
40	1305A014	<del>T400001</del> COMPLETE AND SUPERIOR PARTIE T400001
41	0807A015	SCREW TPN SIDE HAND-WHEEL T400001
42	2913A001	FLANGE SUPPORTSBPFL 203 IMPORT.
43	3023A001	ELASTIC PLUG C70 6873 5X40
44	2002A026	HAND-WHEEL 2 RAZZE D200 Ø17 Article 206-200-17
45	2023A004	CLOSED HANDLE D.25 S/PARAMANI
46	1337A010	WELDED HANDLE T400001
47	2033A001	ELASTICS WITH HOOKS
48	2009A012	NEUTER TANK TO SQUARE SHAPED Article 39
49	3019A010	ZINC PLATED WASHER R40 6592 M16X30X3

# SPARE PARTS LIST

## T400001

Item	Code	Description
50	2401A021	ZINC PLATED NIPLES 3/8 ROB 2006.0017
51	2401A023	ZINC PLATED PIPE-FITTING F.F. DN 3/8 ROB 2000.9017
52	2410A002	MINI BALL-VALVE 3/8" F.F. figure 125 ROB 4052.5117
53	2401A013	PIPE-FITTING A19 3/8-14 ROB 3325.1517
54	2406A002	STEELFLEX PIPE 14X19
55	2401A010	RAPID AND RUBBER PIPE-FITTING 15 ROB 2807.7015
56	2401A008	RAPID FEMALE PIPE-FITTING 1/2 ROB 2806.6021
57	1305A015	*TRESTLE T400001
58	2401A028	ZINC PLATED PIPE-FITTING 1/2X3/8 ROB 2044.2117
59	2401A004	PIPE-FITTING A24 3/8 META 2124003
60	2401A002	PIPE-FITTING A19 3/8-12 META 2119008
61	1302A009	*COMPLETE AND WELDED PROTECTION DISK Ø 450 T400001
62	3019A001	ZINC PLATED WASHER R40 6592 M20X41X3
63	2025A003	WHEEL DM.125 Hole 20 TYPE I
64	2406A008	EXTRA CRYSTAL PIPE 10X14
65	3020A003	ZINC PLATED GROWER C72 RTG/RINF. M8
66	3001A047	ZINC PLATED SCREW TE 8.8 5739 M8X25
67	3001A069	ZINC PLATED SCREW TE 8.8 5739 M10X50
68	2412A001	BRASS COUNTER-NUT G. DN 3/8 ROB 2624.0017
69	1214A097	BRACKET TO FIX ENGINE IM350, 6LD435, 15LD350, GX270/390
70	3019A008	ZINC PLATED WASHER F.WIDTH R40 M8X32X2.5

# CE CONFORMITY DECLARATION

## Conformity Declaration CE

Conforms to the II A Attached, of the 2006/42 CE Directive  
Conforms to the II Attached, of the 2000/14 CE Directive

The **ISOPLAM S.r.l.** company

With legal head office in E.Mattei, 4 31010 Coste di Maser (TV) Italy

DECLARES

Under its exclusive responsibility

That the machine **FLOOR**  
Type **SAW**  
Serial number N. **T400001**

It is according with the conditions foreseen from the directives (and further modifications)

**2006 / 42 / CE**

*Concerning the rapprochement of the legislations of the member States relative to the machines.*

**2014 / 30 / CE**

*Concerning the rapprochement of the legislations of the member States relative to the electro-magnetic compatibility.*

**2014 / 35 / CE**

*Concerning the rapprochement of the legislations of the member States relative to the electric material assigned to be used within some limits of voltage.*

**2000 / 14 / CE**

*Ambient acoustic emission of machines and equipment for the open work.*

Level of sonorous powering of measured similar machine: 107 dBA  
Level of sonorous guaranteed powering for the equipment: 107 dBA  
(D.Lgs. n.262/2002)

Urbino,

Signature  
The Representative Legal

## PROHIBITION OF PUTTING IN SERVICE

*It cannot be put in service, after to have undergone the constructive modifications or integrations of other components not falling within the ordinary or extraordinary maintenance, without that it is still declared according to the requirements of the directives: 2006/42/CE, 2014/30/CE, 2014/35/CE and 2000/14/CE to other directives of reference and to the norms in force.*

Date,

The Owner

## SECURITY NORMS

The machine has been realized in according with the security norms under indicated:

<b>UNI EN ISO 12100-1</b>	Security of the machinery - Fundamental concepts, general principles of planning. . (Part 1: Terminology of base, methodology).
<b>UNI EN ISO 12100-2</b>	Security of the machinery - Fundamental concepts, general principles of planning. . (Part 2: Technical principles).
<b>UNI EN 13862</b>	Machines for the cut of horizontal flat surfaces - Security
<b>UNI EN 294</b>	Security of the machinery . Distance of security to prevent the achieving of dangerous areas with superior limbs.
<b>UNI EN 953</b>	Security of the machinery . Shelters . general requirements for the planning and the building of fixed and movable shelters.
<b>CEI EN 60204-1</b>	Security of the machinery . Electric equipment of machines (Part I: general Norms)



**ISOPLAM S.r.l.**  
**Via E. Mattei, 4 31010 COSTE DI MASER (TV) ITALY**  
**Tel. Export: 039 0423 925023 Fax: 039 0423 926119**  
**WEB site: [www.isoplam.it](http://www.isoplam.it) e-Mails: [info@isoplam.it](mailto:info@isoplam.it)**